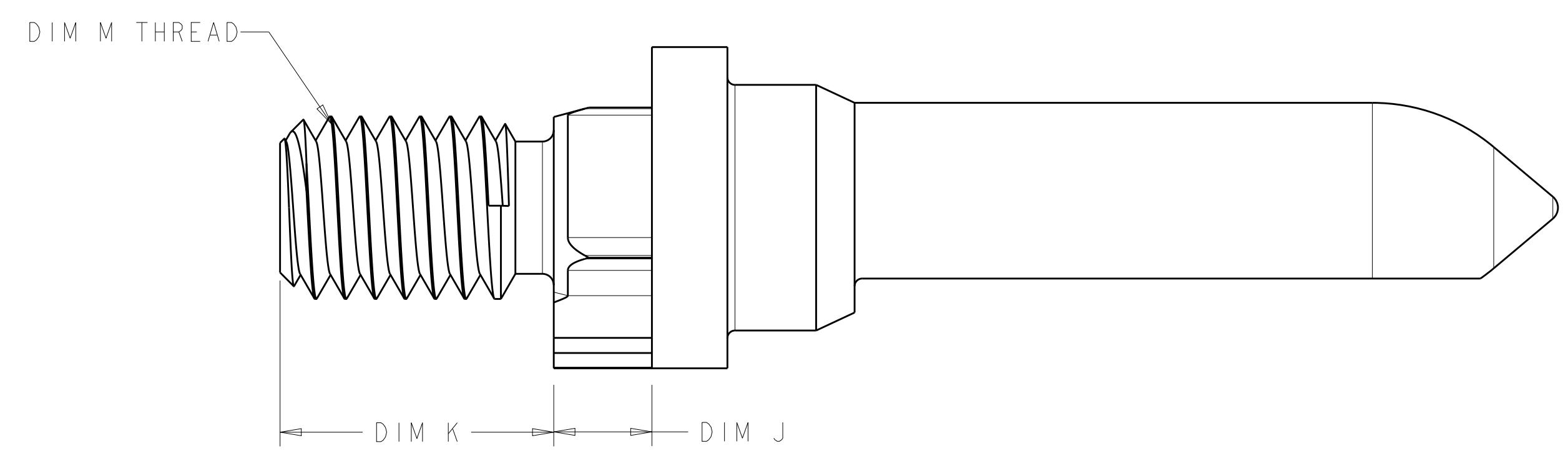
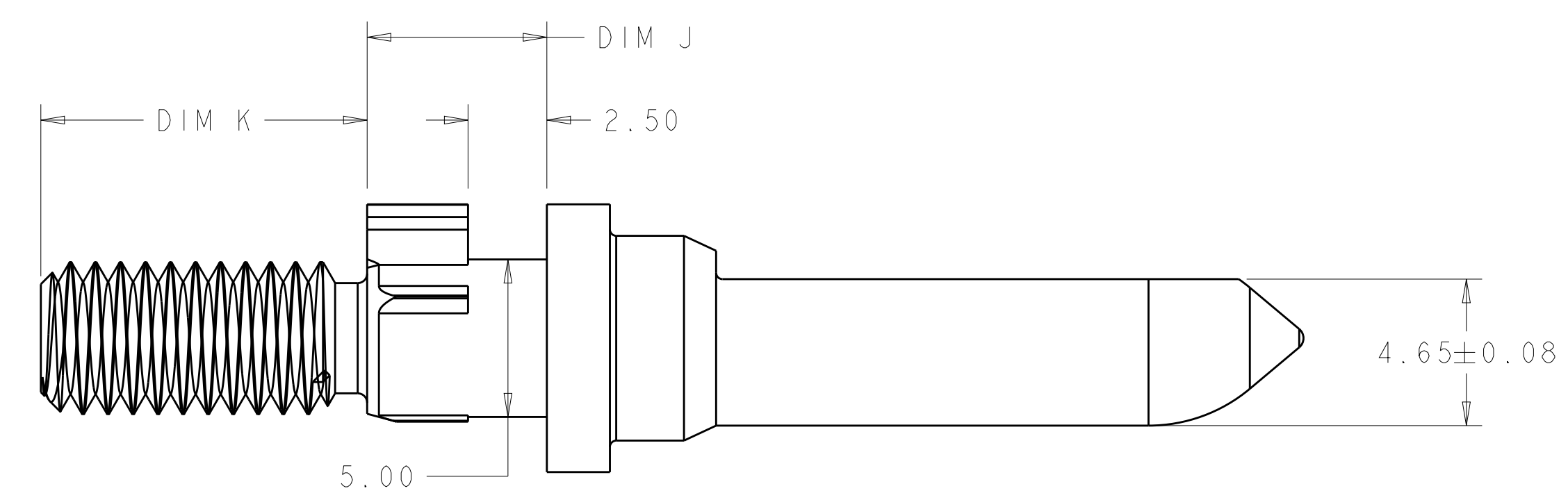
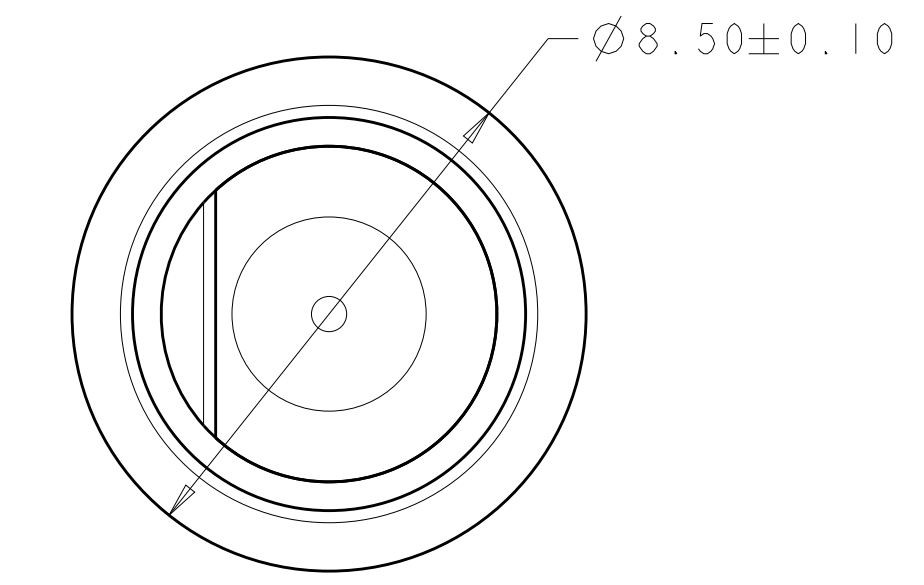
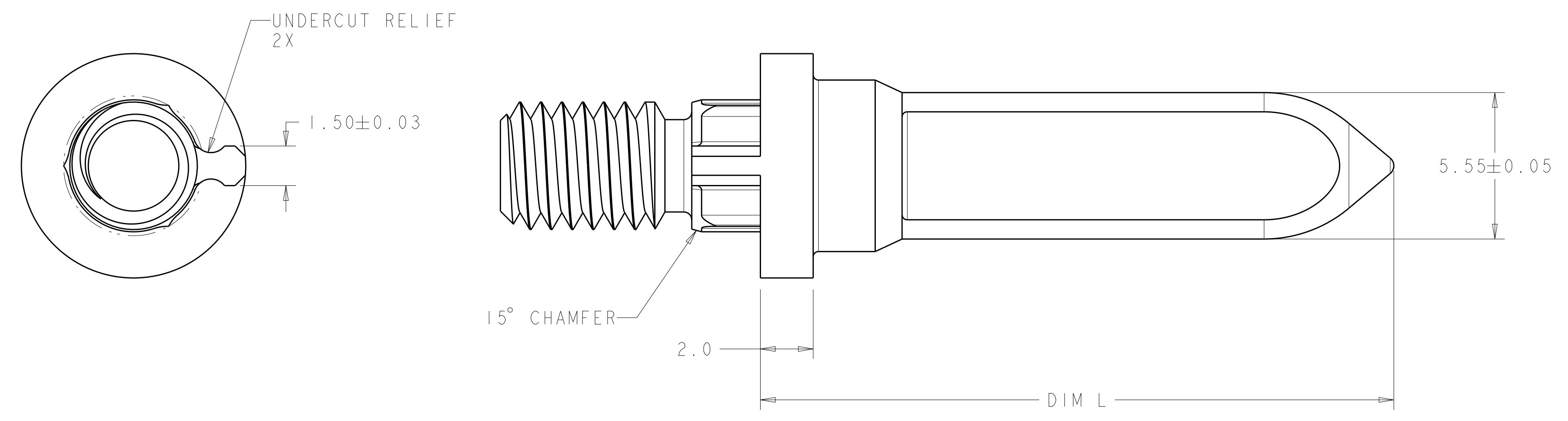


LOC		DIST		REVISIONS			
P	LTN	DESCRIPTION	DATE	DWN	APVD		
J		REV PER ECO 15-008958	6-17-15	CT	DH		
K		REVISED PER ECO-15-009750	01JUL2015	DLB	DH		



- 1 MATERIAL: STAINLESS STEEL (303)
- 2 FINISH: PASSIVATED
- 3 KEY HOLE ORIENTATION (DIM A) PER MATING GUIDE MODULE PART NUMBER TABLE (ORIENTATION SHOWN ON PCB LAYOUT IS FOR 1-2000677-2 OR 2000713-2)
- 4 ANNULAR RING PLATED AROUND GUIDE PIN MOUNTING HOLE ON TOP AND BOTTOM SIDE OF BOARD



2000676-6 ONLY
 SCALE 6:1

10-32 UNF	19	7.25	5.70	1-2000676-3
10-32 UNF	19	7.25	4.20	1-2000676-2
10-32 UNF	19	7.25	1.32	1-2000676-0
M5X.8-6g	24	6.30	2.40	2000676-9
M5X.8-6g	19	9.00	3.40	2000676-8
M5X.8-6g	24	9.00	3.40	2000676-7
10-32 UNF	24	10.35	5.70	2000676-6
10-32 UNF	24	7.25	7.30	2000676-5
10-32 UNF	24	7.25	5.70	2000676-4
10-32 UNF	24	7.25	4.20	2000676-3
10-32 UNF	24	7.25	2.60	2000676-2
10-32 UNF	24	7.25	1.32	2000676-1
DIM M THREAD	DIM L	DIM K	DIM J	PART NUMBER

THIS DRAWING IS A CONTROLLED DOCUMENT.

DIMENSIONS: mm

TOLERANCES UNLESS OTHERWISE SPECIFIED:

0 PLC	±	
1 PLC	±0.5	
2 PLC	±0.13	
3 PLC	±0.013	
4 PLC	±	
ANGLES	±	
FINISH	±	

MATERIAL: STAINLESS STEEL (303)

FINISH: PASSIVATED

APPROVED: [Signature]

DATE: 10JAN08

NAME: KEYSIDE CONNECTIVITY

PRODUCT SPEC: 108-2072

APPLICATION SPEC: 114-13056

WEIGHT: -

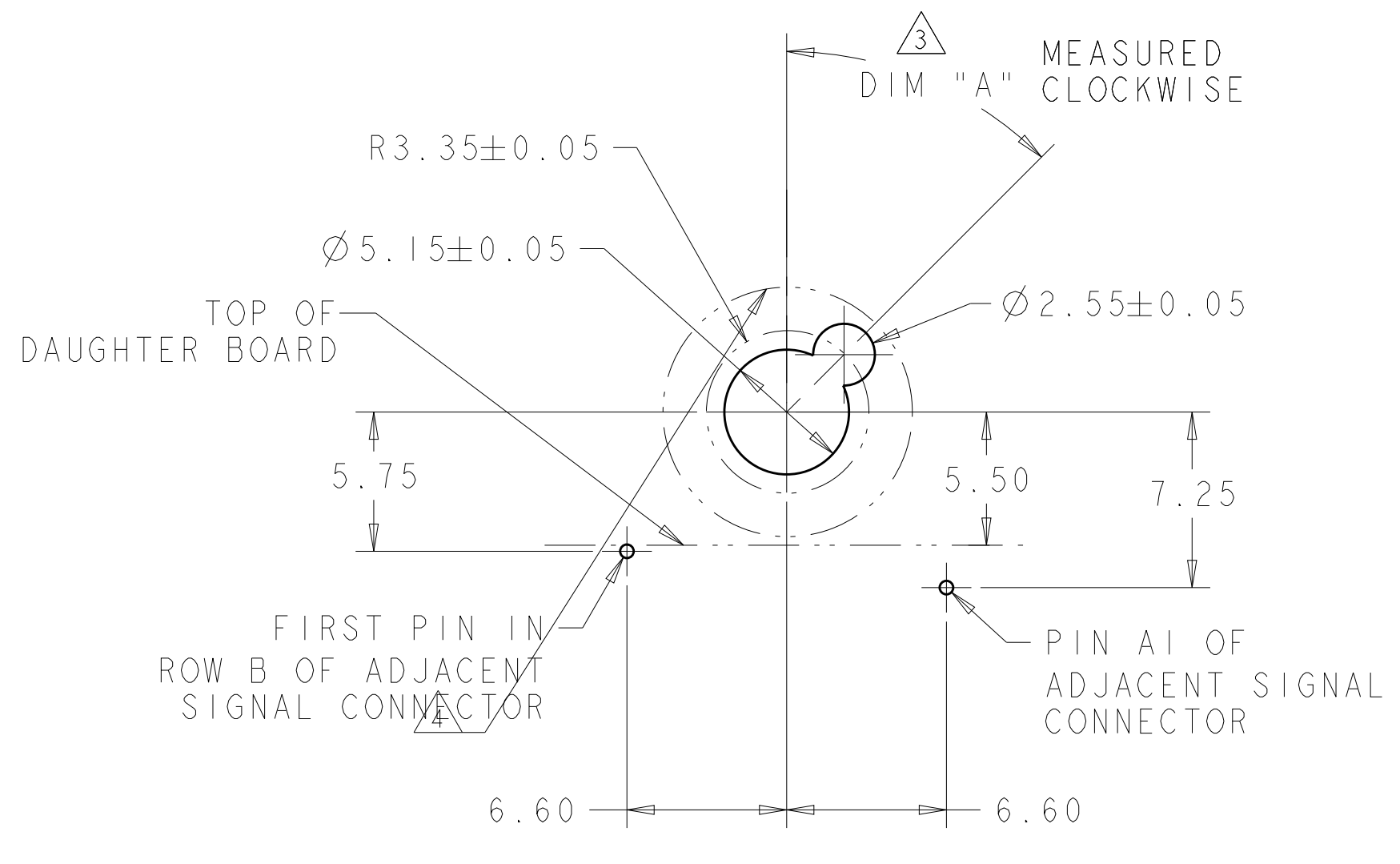
CUSTOMER DRAWING

SCALE: 8:1

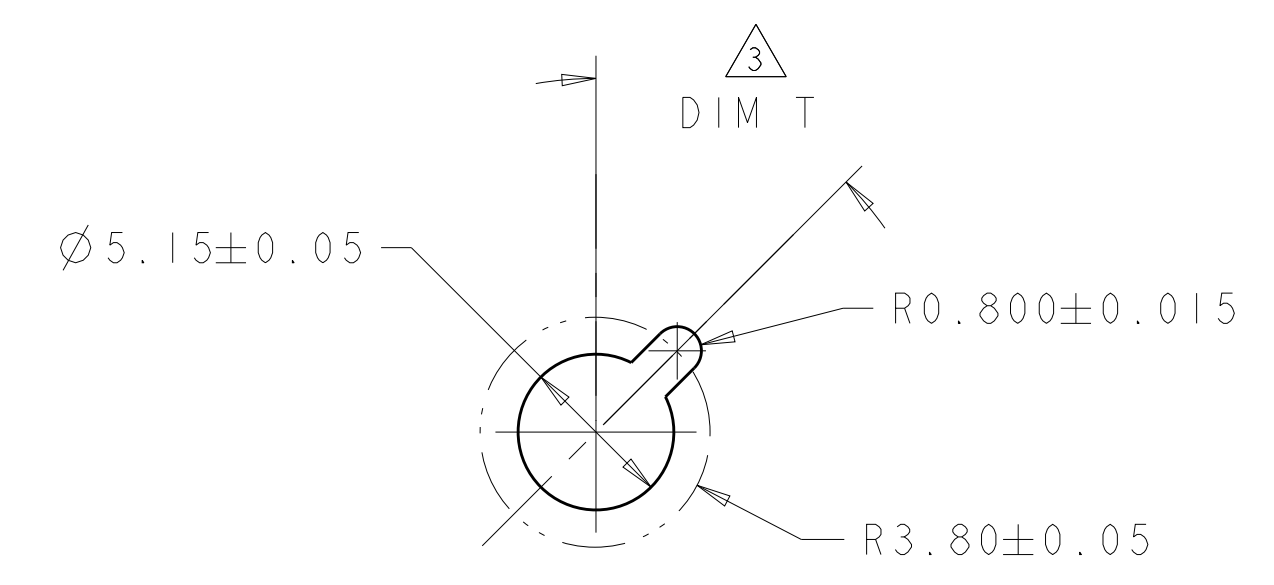
SHEET 1 OF 2

REV K

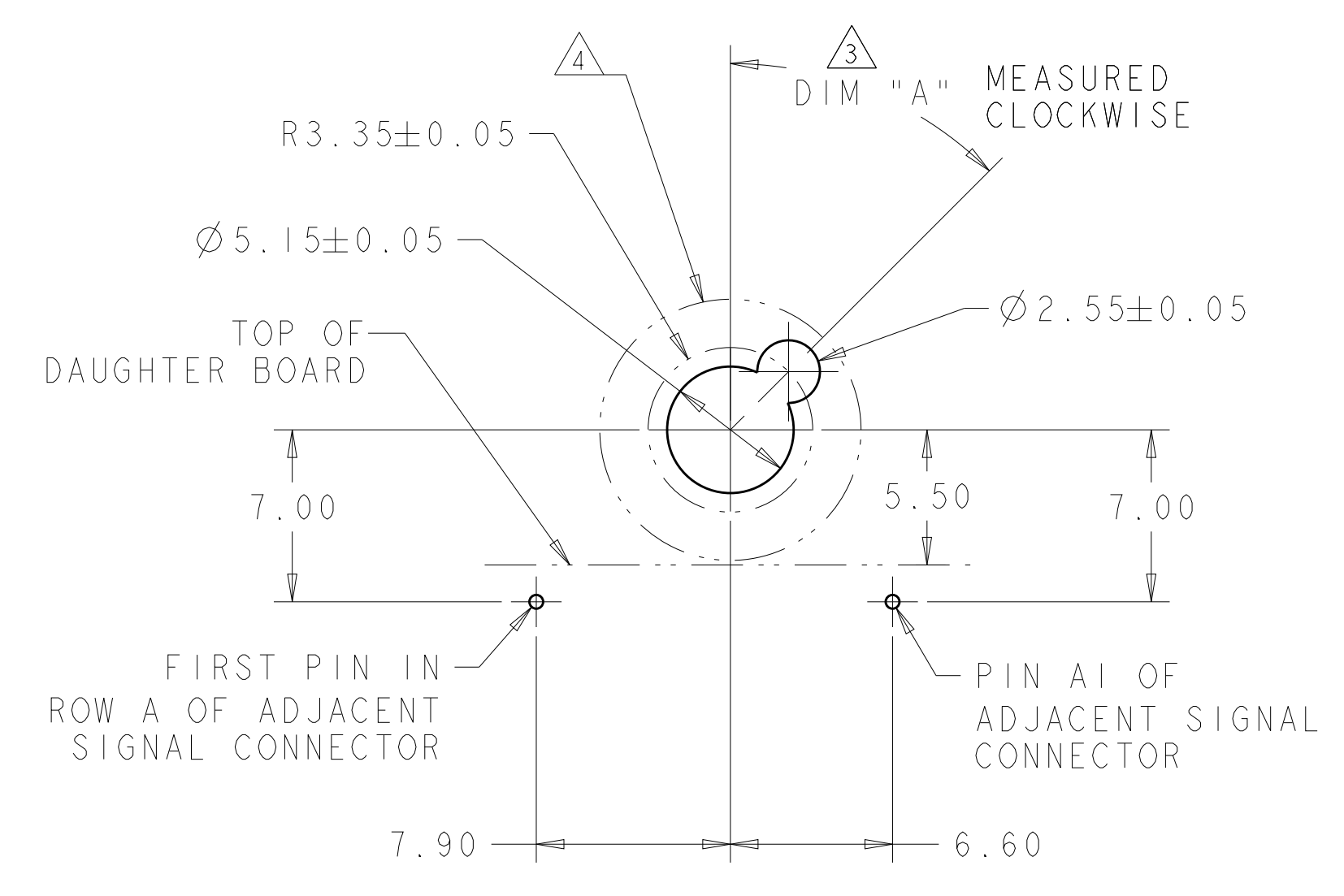
LOC		DIST		REVISIONS			
				REV	DATE	BY	APPD
-	-	-	-	-	-	-	-
-	-	-	-	1	SEE SHEET 1	-	-



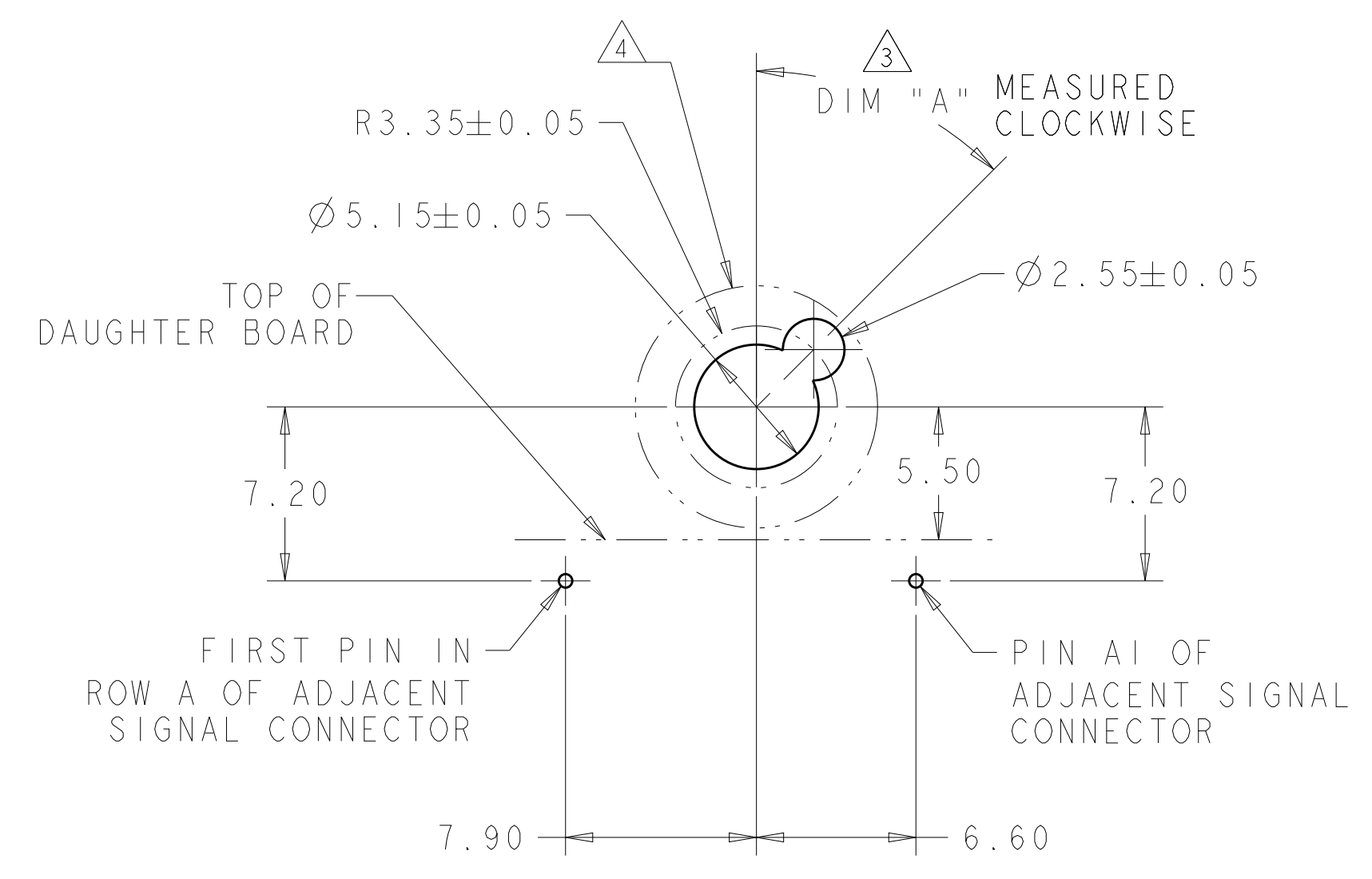
TIER 1
GUIDE PIN FOOTPRINT
(20.3 & 25.4mm SIGNAL MODULES)
SCALE 4:1



ALTERNATE PCB LAYOUT
FOR GUIDE POST
SCALE 4:1



TIER 2
GUIDE PIN FOOTPRINT
(25.4mm SIGNAL MODULES)
SCALE 4:1



TIER 2
GUIDE PIN FOOTPRINT
(20.3mm SIGNAL MODULES)
SCALE 4:1

ESD SPRING	ANGLE	KEY	MODULE NO.
W/O ESD SPRING	NO KEY		2-2000677-9
W/O ESD SPRING	315°		2-2000677-8
W/O ESD SPRING	270°		2-2000677-7
W/O ESD SPRING	90°		2-2000677-3
W/O ESD SPRING	45°		2-2000677-2
W/O ESD SPRING	0°		2-2000677-1
W/O ESD SPRING	0°		2-2000677-0
W/O ESD SPRING	NO KEY		1-2000677-9
W/O ESD SPRING	315°		1-2000677-8
W/O ESD SPRING	270°		1-2000677-7
W/O ESD SPRING	90°		1-2000677-3
W/O ESD SPRING	45°		1-2000677-2
W/ESD SPRING	NO KEY		2000713-6
W/ESD SPRING	315°		2000713-5
W/ESD SPRING	270°		2000713-4
W/ESD SPRING	90°		2000713-3
W/ESD SPRING	45°		2000713-2
W/ESD SPRING	0°		2000713-1
ESD SPRING	DIM T		20.3mm GUIDE MODULE

MATING GUIDE MODULE $\triangle 3$

THIS DRAWING IS A CONTROLLED DOCUMENT.		OWN: McALONIS, M. 10JAN08	TE Connectivity
DIMENSIONS: mm		CHK: McALONIS, M. 10JAN08	
TOLERANCES UNLESS OTHERWISE SPECIFIED:		APVD: McALONIS, M. 10JAN08	NAME: KEYPED GUIDE PIN, MACHINED BACKPLANE CONNECTOR, MULTIGIG, THREADED POST PRODUCT SPEC: 108-2072 APPLICATION SPEC: 114-13056
0 PLC ±. 1 PLC ±0.5 2 PLC ±0.13 3 PLC ±0.013 4 PLC ±. ANGLES ±. FINISH ±.		SIZE: CAGE CODE DRAWING NO. RESTRICTED TO WEIGHT: 114-13056 CUSTOMER DRAWING	
MATERIAL: -		SCALE: 1:1	SHEET 2 OF 2 REV K